



VENDED LAUNDRY T-120 EXPRESS DRYER



T-120 EXPRESS DRYER

Dexter X-Series Dryer

Vended laundry solutions you can depend on.

Dexter X-Series dryers are designed to deliver exceptional performance, elevating both the customer and laundry ownership experience. Featuring the same Dexter quality with an extra touch, these dryers provide the extra options and control customers want, while delivering the extra revenue and savings owners need to succeed.

A store full of laundry equipment is a big investment and choosing the right equipment is an important decision. Our products will provide you the efficiency, flexibility, performance, and durability you need to be confident in your choice. With free, live lifetime technical support and an industry leading 5-year warranty, you can be confident that we will stand behind every dryer you invest in.

Contact your Dexter Authorized Distributor today for more details.

EFFICIENT:

Perforated tumblers, balanced radial airflow, and the right amount of air recirculation provide max efficiency.

Designed for efficiency, our exclusive **MDS system** will save time and gas, increasing your throughput and your bottom line.

DURABLE:

With heavy-duty bearings in cast iron bearing housings, Dexter dryers are built to last.

Welded steel spider assemblies support the tumbler from the rear and eliminate the need for front support rollers.

The polished chrome doors, high-quality stainless steel panels, and **hybrid stainless tumblers** keep dryers looking great year after year.

The screw resistant tumbler hole pattern minimizes tumbler damage.

RELIABLE:

Our industry leading **5-year warranty covers all dryer components.**

Level 1 FRS enhances safety, detecting and controlling overheating issues.

We stand behind every machine you invest in with lifetime technical support.

PROFITABLE:

Every Dexter machine offers a simple user interface with multiple language options, and detailed customer prompts.

X-Series controls work with DexterLive to allow you to create custom programs that fit your business needs and provide **easy connect to DexterPay via QR code.**

A variety of PLUS cycle features, promotions, and upsell reversing options will help you maximize revenue generation.

INSTALLATION:

A vertical exhaust and vent are standard on every dryer for easy installation. Additional options are available.

The exhaust cleanouts are easy to reach and allow for regular maintenance.

The hinged lower service door makes cleaning the lint screen quick and easy.

OPTIONS:

Available with blue or black graphics.

Your dryers can be shipped with coin acceptors or payment system ready.

Gas models, with propane kits available.

Dexter C-Series dryers are available in 30lb, 50lb, 80lb and 120lb capacities.

EMPLOYEE OWNED | MADE IN THE USA | SINCE 1894

DEXTER.COM

2211 WEST GRIMES AVENUE, FAIRFIELD, IOWA 52556 USA

1.800.524.2954

T-120 EXPRESS DRYER SPECIFICATIONS

Capacity:

Dry Weight Capacity - lb (kg)	120	(54.4)
Cylinder Volume - cu ft (L)	36.1	(1022.2)

Speed:

Tumbler Speed - RPM	36.5	---
Motor Size - 60 Hz Models - hp (kW)	1 & 1	(0.75 & 0.75)
Motor Size - 50 HZ Models - hp (kW)	1 & 0.75	(0.75 & 0.56)

Airflow:

60 Hz Model - cfm (M3/min)	1250 / 1450	(35.4 / 41.4)
50 Hz Model - cfm (M3/min)	1000	(28.3)

Dimensions:

Cabinet Height - in (cm)	85 5/16	(216.7)
Cabinet Width - in (cm)	46 3/4	(188.7)
Cabinet Depth - in (cm)	60 3/16	(152.9)
Door Opening - in (cm)	30	(76.2)
Floor to Door Bottom - in (cm)	34	(86.4)
Cylinder Diameter - in (cm)	43	(109.2)
Cylinder Depth - in (cm)	43	(109.2)
Lint Screen Area - sq in (sq cm)	862	(5561)

Weight:

Net Weight - lb (kg)	1075	(487.6)
----------------------	------	---------

Shipping Information:

Shipping Weight - lb (kg)	1122	(508.9)
Shipping Height - in (cm)	88 3/8	(224.5)
Shipping Width - in (cm)	48 1/4	(122.6)
Shipping Depth - in (cm)	68 1/2	(174)

Gas Requirements (Gas Models Only):

Gas Supply Connection - in (mm)	3/4	(19.1)
Natural Gas Supply (Water Column) - in (cm)	5-8	(12.7 - 20.3)
LP Gas Supply (Water Column) - in (cm)	11 1/2- 13 1/2	(29.2 - 34.3)

Gas Usage (Gas Models Only):

60Hz Model - BTU/hr (kW)	320,000	(93.8)
50Hz Model - BTU/hr (kW)	300,000	(87.9)

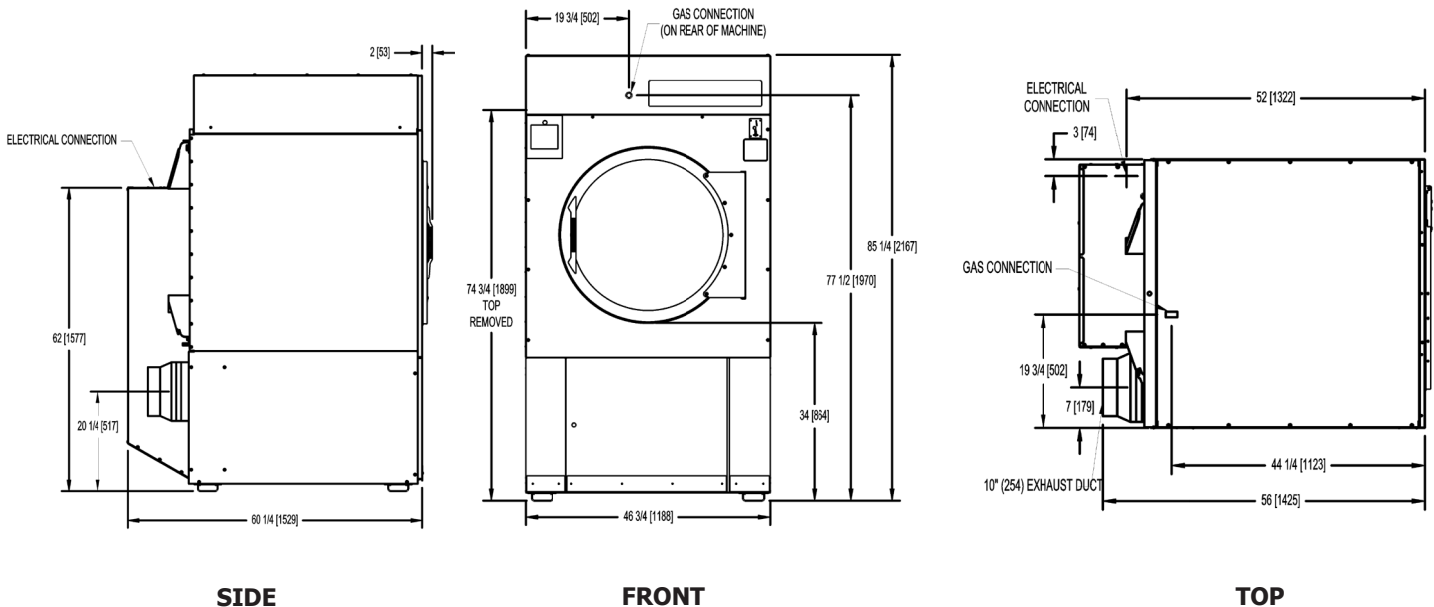
Electrical Requirements:

Gas Models:

Model	Volts / Hz / Phase / Wiring	Circuit Breaker Amps / Running Amps / Wire Size / Reversing
-10	120 / 60 / 1 / 2 wire + ground	25 / 15 / #12 / Reversing
-39	230 / 50 / 1 / 2 wire + ground	20 / 10 / 3.5 mm ² / Reversing

Installation Recommendations:

Minimum Clearance Between Machines - in (cm)	0	(0)
Minimum Clearance Behind Machines - in (cm)	18	(45.7)
Make-Up Air Required - sq ft (sq cm)	2.25	(2090)
Exhaust Size - in (cm)	10 or 12	(25.4 or 30.5)
Max. Exhaust Back Pressure (Water Column) - in (mm)	0.3	(7.6)
Recommended Exhaust Length - ft (m) & 2 elbows	14	(4.3)



Due to continuous product improvements specifications are subject to change, please consult the installation manual for the most accurate information.
 *Agency approvals vary based on machine configuration. Major approval bodies include ETL, CE and AGA. Dexter Laundry is ISO 9001:2015 certified by Intertek.